



PURON[®] HOLLOW FIBER MODULES

Hollow Fiber Submerged Membrane Modules for MBR Applications

PRODUCT DESCRIPTION

Membrane Chemistry:	Proprietary PVDF
Membrane Type:	Braided hollow fiber for outside-in operation
Fiber Support Chemistry:	Polyester
Nominal Pore Size:	0.03 µm
Outside Fiber Diameter:	0.1 inch (2.6 mm)
Regulatory Information:	Accepted by California Department of Public Health (CDPH) for compliance with California Water Recycling Criteria (Title 22)
Potting Material:	Proprietary epoxy compound
Module Frame Material:	316 Stainless Steel
Permeate Collection Tube Material:	ABS, PVC, PE manifolds
Storage Solution:	Glycerin

PRODUCT SPECIFICATIONS

Model	Membrane Area ft ² (m ²)	Rows per Module
PSH 250	2,690 (250)	8
PSH 300	3,230 (300)	8
PSH 500	5,380 (500)	16
PSH 600	6,460 (600)	16
PSH 1500	16,150 (1,500)	44
PSH 1800	19,375 (1,800)	44

OPERATING & DESIGN INFORMATION*

Temperature Range:	41 - 104°F (5 - 40°C)
Maximum Filtration Transmembrane Pressure:	9 psi (0.6 bar)
Maximum Backflush Transmembrane Pressure:	9 psi (0.6 bar)
Allowable pH Range for Cleaning	2.0 – 10.5
Maximum Allowed Total Chlorine @ 95°F (35°C) or Lower:	1,000 ppm @ pH 8 or higher during maintenance clean
Maximum Allowed Total Chlorine @ 95°F (35°C) or Lower:	2,000 ppm @ pH 8 or higher during recovery clean
Maximum Allowed Total Chlorine Contact:	500,000 ppm-hrs cumulative

* Consult Process Technology Group for specific applications.

NOMINAL DIMENSIONS & WEIGHT*

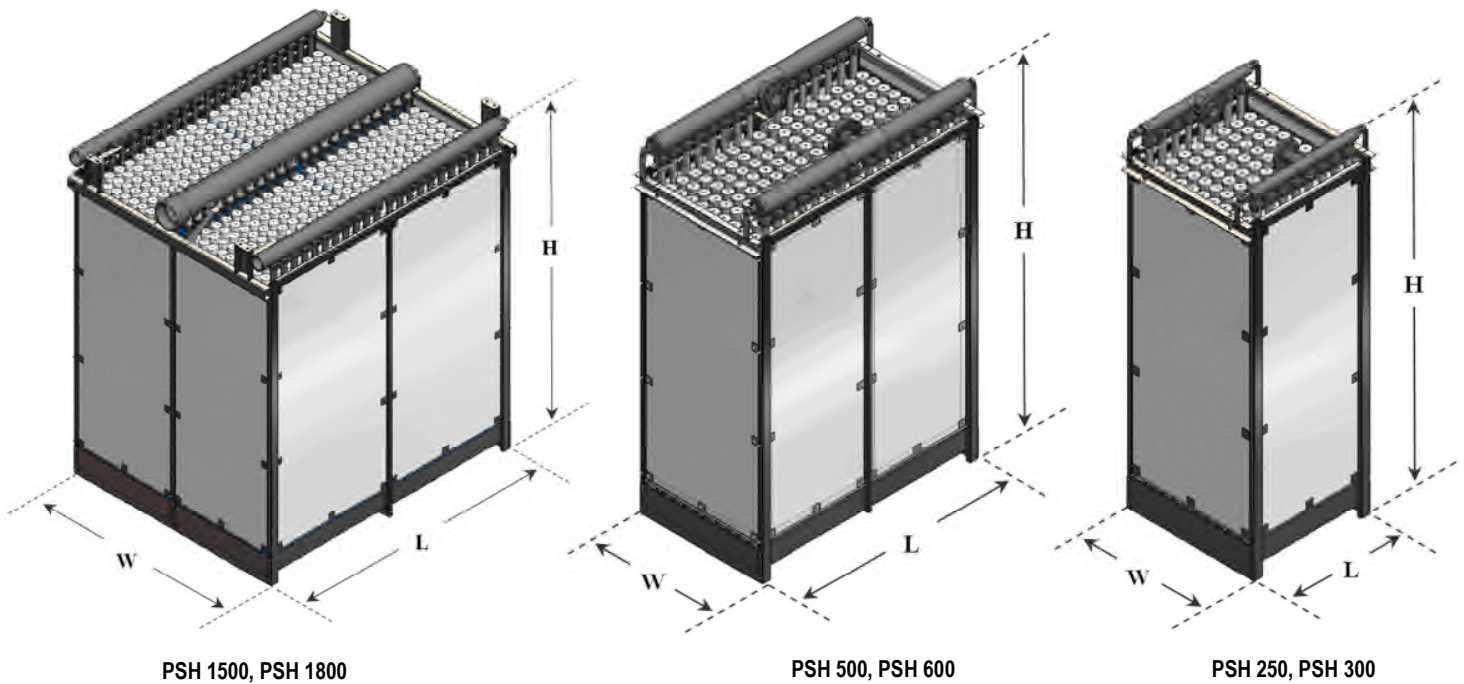
Model	L		W		H		Dry Weight Pounds (kg)	
	Inches (mm)	Inches (mm)	Inches (mm)	Inches (mm)	Inches (mm)	Inches (mm)	Pounds (kg)	
PSH 250	35.67 (906)	35.16 (893)	93.82 (2,384)	660 (300)				
PSH 300	35.67 (906)	35.16 (893)	93.82 (2,384)	715 (325)				
PSH 500	65.43 (1,662)	35.16 (893)	95.35 (2,422)	1,210 (550)				
PSH 600	65.43 (1,662)	35.16 (893)	95.35 (2,422)	1,265 (575)				
PSH 1500	88.35 (2,244)	69.10 (1,755)	99.61 (2,530)	2,860 (1,300)				
PSH 1800	88.35 (2,244)	69.10 (1,755)	99.61 (2,530)	3,434 (1,570)				

* See schematic diagrams next page.

CONNECTIONS

Model	Permeate		Air	
	Type	Outside Diameter (mm)	Type	Outside Diameter (mm)
PSH 250	Flange	DN 50	Flange	DN 50
PSH 300	Flange	DN 50	Flange	DN 50
PSH 500	Flange	DN 80	Flange	DN 80
PSH 600	Flange	DN 80	Flange	DN 80
PSH 1500	Pipe	Ø 200	Pipe	Ø 110
PSH 1800	Pipe	Ø 200	Pipe	Ø 110

PURON® HOLLOW FIBER MODULES



Module Transport and Storage Conditions:

Storage of PURON Modules

Storage of PURON modules should be carried out at ambient temperature (41 to 77°F / 5 to 25°C). Extended exposure to UV source must be avoided. The PURON modules must not be stored for longer than 3 months on site.

Transport of PURON Modules

Transport of PURON modules should be carried out at ambient temperature (23 to 113°F / -5 to 45°C).

When the PURON modules are being transported by ship, the PURON module should be placed in seaworthy packaging and stored at ambient temperature, provided that such temperature is between 23 and 113°F (-5 and 45°C).

Dry-up Protection

Once the PURON hollow fiber module has been commissioned with an aqueous medium, it should never be stored dry. If the membrane plant is not operated for 7 days or less, the module may be kept wet by keeping it submerged in the biomass, provided the following conditions are met:

- The biomass is healthy and is aerated and the recirculation of biomass over the membrane chamber is functioning properly.
- The module is fully submerged in the biomass.
- The module aeration is switched on every 30 minutes for a period of 1 minute to assure mixing of sludge inside the module.

Storage of Used Modules

If the idle period is longer than 7 days, immersion in a storage solution is required. Proceed as follows:

- Submerge the module fully in potable water. Start the aeration for at least 3 to 4 hours, drain the tank and finally refill with fresh water again.
- Add sodium hypochlorite to form a solution of concentration of 10 mg/l total chlorine at pH between 5.5 and 7.5.
- Check the chlorine concentration daily. If the concentration of total chlorine drops below 5 mg/l additional dosage of sodium hypochlorite is necessary.

Long-term Storage

If a dry-up cannot be avoided due to transport or if the idle period is longer than 21 days, the module has to be conditioned. Please consult KMS for more details.

Proper Handling

Utmost care at any time should be taken when handling the module. Collisions, impact or hitting the ground in a rough manner may damage modules or connections.

Precautions When Working Near the Hollow Fiber Module

Keep the hollow fiber modules free from contact with sharp objects or exposure to heat sources. Actions that may cause sparks (e.g. welding, grinding) should be strictly prohibited.

The information contained in this publication is believed to be accurate and reliable, but is not to be construed as implying any warranty or guarantee of performance. We assume no responsibility, obligation or liability for results obtained or damages incurred through the application of the information contained herein. Refer to Standard Terms and Conditions of Sale and Performance Warranty documentation for additional information

Koch Membrane Systems, Inc., www.kochmembrane.com

Corporate Headquarters: 850 Main Street, Wilmington, Massachusetts 01887-3388, US, Tel. Toll Free: 1-888-677-5624, Telephone: 1-978-694-7000, Fax: 1-978-657-5208
European Headquarters: Koch Chemical Technology Group Ltd., Units 3-6, Frank Foley Way, Stafford ST16 2ST, GB, Telephone: +44-178-527-2500, Fax: +44-178-522-3149

• Aachen DE • Lyon FR • Madrid ES • Milan IT • Wijnegem BE • Beijing & Shanghai CN • Mumbai & Chennai IN • Melbourne & Sydney AU • Singapore • Sao Paulo BR • Manama BH •

PURON is a registered trademark of Koch Membrane Systems, GmbH in Germany and other countries.
The FLOW LINES DESIGN is a trademark of Koch Membrane Systems, Inc. and the STYLIZED K is a trademark of Koch Industries, Inc.
Koch Membrane Systems, Inc. is a Koch Chemical Technology Group, LLC company.

© 2013 Koch Membrane Systems, Inc. All rights reserved worldwide.

01/13 Rev. 13-1