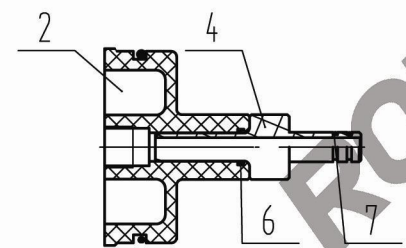
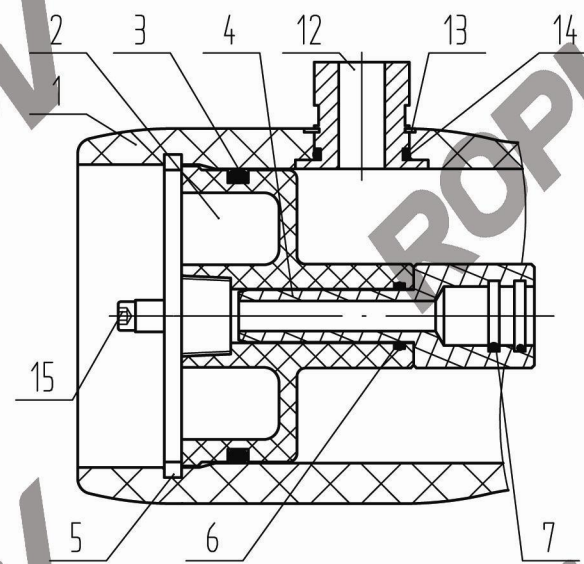


300  
PSI

NOTE:

- 1 Design pressure 300PSI(2.1MPa)
- 2 Design temperature 150°F(66°C)
- 3 Min. allowable temperature 14°F(-10°C)
- 4 Working medium, water PH3 ~ 11
- 5 Internal permeate pressure not to exceed 125psi(0.88Mpa)
- 6 Please operate according to directions
- 7 Subject to chance without notice, please sign in the website of the company to inquire(www.ropv.com.cn).
- 8 Others can be use recycle except shell need specialized callback

75	GB/T5782 M6x20	Locking Crescent Screw	4	304SS	
14	28x2.65G GB/T3452.1	O-Ring	2~4	EPDM	
13	4005	Retaining Ring	2~4	304SS	
12	4004	Feed/Conc. Port	2~4	316LSS	
11	4013.1	Plug	1	Engineering Thermoplastic	
10	4010	Saddle	2~3	Rubber	
9	GB/T5782 M8x60	Strap Screw	4~6	304SS	
8	4008	Strap	2~3	304SS	
7	12.5x1.8G GB/T3452.1	O-Ring	4	EPDM	
	19x2.65G GB/T3452.1				
6	14x2.65G GB/T3452.1	O-Ring	2	EPDM	
	17x2.65G GB/T3452.1				
5	4011	Locking Crescent	4	304SS	
4	4021.1	Adapter	2	Engineering Thermoplastic	For Internal Flat Membrane
	4021				
3	90x5.3G GB/T3452.1	O-Ring	2	EPDM	
2	4101.1	End Plate	2	Engineering Thermoplastic	For Internal Flat Membrane
	4101				
1	4012.1-6	Pressure Shell	1	FRP	OPT for Blue or White
Ref.	Part Number	Description	Qty.	Material	Note



For Internal Flat Membrane

Shell length code	Shell number	L L.O.A MM/IN	P Part to part MM/IN	S Span MM/IN	Approx assembly weight KG/LB
1	4012.1	1263/49.7	1067/42	600/23.6	8/18.0
2	4012.2	2279/89.7	2083/82	1200/47.2	12/27.0
3	4012.3	3295/129.7	3099/122	2200/86.6	15/33.8
4	4012.4	4311/169.7	4115/162	1600/63x2	19/42.8
5	4012.5	5327/209.7	5131/202	2300/90.6x2	22/49.5
6	4012.6	6343/249.7	6147/242	2700/106.3x2	26/58.6

<b>ROPV</b>	DESIGN	Haerbin ROPV Industry Development Center		
	REVIEW	MODEL	R4040B300S PRESSURE VESSEL	
	APPROVAL	DRG	REV	R4040B300S-00 10