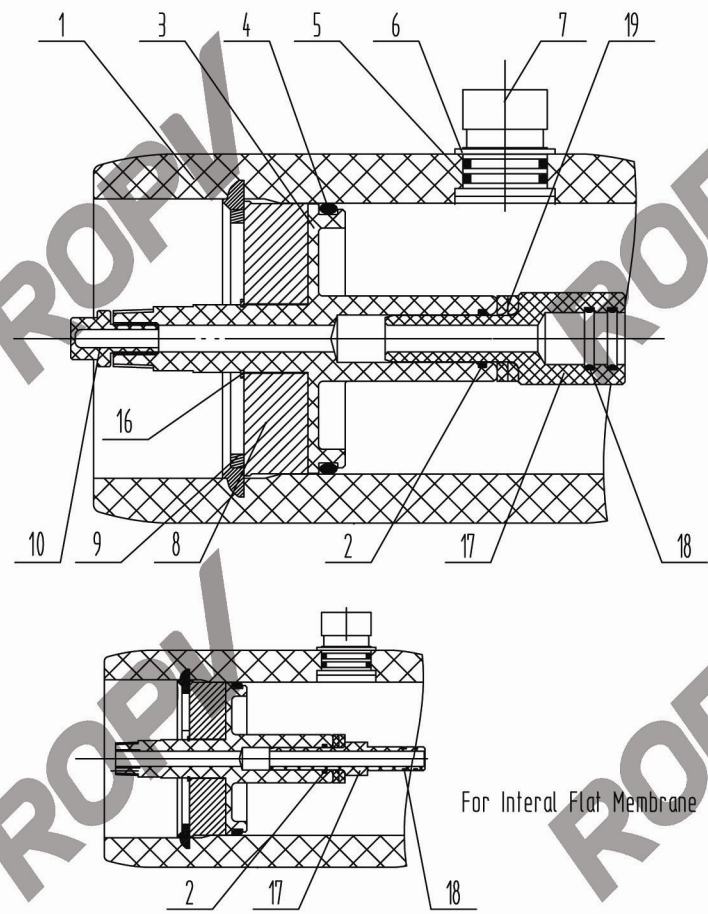


19	A4090.1 A4090	Shim	2	ABS	Internal Adapter
18	12.5x1.8G GB/T3452.1 19x2.65G GB/T3452.1	O-Ring	4	EPDM	
17	4021.1 4021	Adapter	2	Engineering Thermoplastic	Internal Adapter
16	4015	Retaining Ring	2	316SS	
15	4010	Saddle	2-3	Rubber	
14	GB/T5782 M8x60	Strap Screw	4-6	316SS	
13	4008.2	Strap	2-3	316SS-Brass and Rubber	
12	A4025	Securing Ring	2	316SS	
11	GB/T70.1 M6x15	Securing Ring Screw	4	316SS	
10	4013	Plug	1	Engineering Thermoplastic	M12
09	A4024	Locking Kit Segment	2 set	316SS	
08	A4019	Bearing Plate	2	Aluminium Alloy-Hard anodized	
07	4042	Feed/Conc. Part	2-4	Super Duplex Stainless Steel	
06	4005	Retaining Ring	2-4	316SS	
05	28x2.65G GB/T3452.1	O-Ring	4-8	EPDM	
04	90x5.3G GB/T3452.1	O-Ring	2	EPDM	
03	A4068.4 A4068.3	Sealing Plate	2	Engineering Thermoplastic	For Internal Flat Membrane
02	14x2.65G GB/T3452.1 17x2.65G GB/T3452.1	O-Ring	2	EPDM	
01	A4016.19-24	Pressure Shell	1	FRP	OPT for Blue or White
Ref.	Part Number	Description	Qty.	Material	Note



- 1 Design pressure 1200PSI(8.3MPa)
- 2 Design temperature 150°F(66°C)
- 3 Min. allowable temperature 14°F(-10°C)
- 4 Working medium, sea water or brackish water
- 5 Internal permeate pressure not to exceed 125psi(0.88Mpa)
- 6 Please operate according to directions
- 7 Subject to change without notice, please sign in the website of the company to inquire(www.ropv.com.cn).
- 8 Others can be use recycle except shell need specialized callback

Shell length code	Shell number	L L O A MM/IN	P Part to part MM/IN	S Span MM/IN	Approx assembly weight KG/LB
1	A4016.19	1354/53.3	1036/40.8	600/23.6	15/33
2	A4016.20	2370/93.3	2052/80.8	1200/47.2	22.5/49.6
3	A4016.21	3386/133.3	3068/120.8	2200/86.6	30/66
4	A4016.22	4402/173.3	4084/160.8	1600/63x2	37.5/83
5	A4016.23	5418/213.3	5100/200.8	2300/90.6x2	45/99
6	A4016.24	6434/253.3	6116/240.8	2700/106.3x2	52.5/116

<b>ROPV</b>	DESIGN	<b>Haorbin ROPV Industry Development Center</b>	
	REVIEW	MODEL R4040C1200S PRESSURE VESSEL	
	APPROVAL	DWG	R4040C1200S-00 版次 12.3